

INTERIOR FINISH OUT 3101 PINWOOD DRIVE ARLINGTON, TEXAS 76010

REVISION

ISSUE DATE: XX-XX-2019
PROJECT NUMBER: 2019.04.04.006
SHEET TITLE: ENLARGED RESTROOM PLAN AND ELEVATIONS

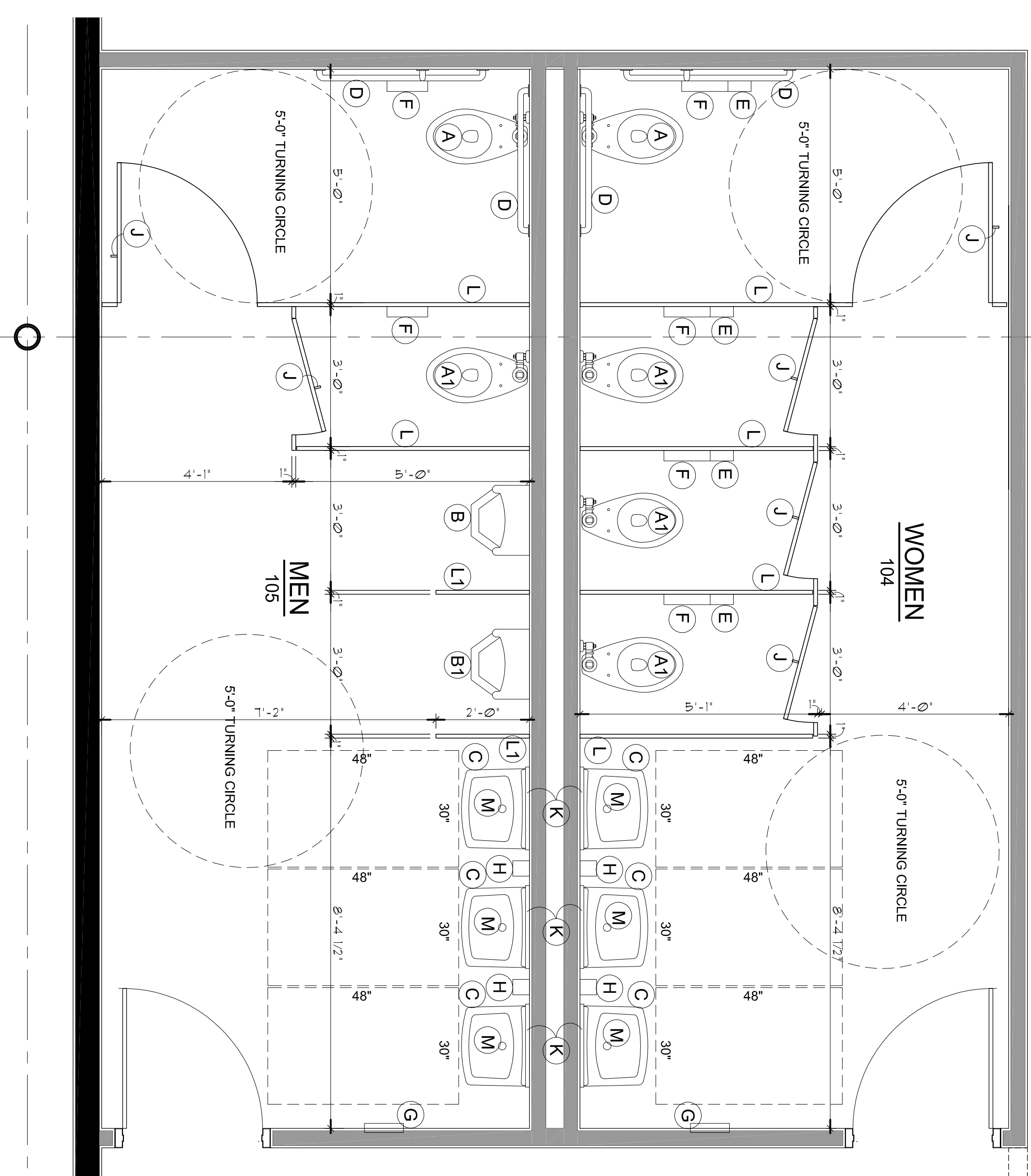
SHEET OF X

RESTROOM FIXTURE LEGEND

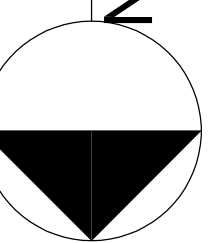
- Ⓐ HANICAP WATERCLOSET, AMERICAN STANDARD 7854129.070, WHITE WITH SOAK ROYAL III FLUSH VALVE (OR APPROVED EQUAL)
- Ⓜ NON-HANICAP WATERCLOSET, AMERICAN STANDARD 445001.070, ELONGATED BOWL, FLOOR MOUNTED WITH 950100 SEAT, WHITE WITH SOAK ROYAL III FLUSH VALVE (OR APPROVED EQUAL)
- ⓑ HANICAP URINAL, AMERICAN STANDARD MODEL # 658100 EC2.070 OR APPROVED EQUAL
- ⓑ NON-HANICAP URINAL, AMERICAN STANDARD MODEL # 658100 EC2.070 OR APPROVED EQUAL
- Ⓒ WALL HUNG SINK AND LEVER FAUCET, HANICAP (AD4745)
- Ⓒ GRAB BAR, BOBRICK B-6806, 36" AND 42" WITH 356 SERIES ANCHOR PLATES (OR EQUAL)
- Ⓒ FEMININE MIRROR, BOBRICK B-354, (OR EQUAL)
- Ⓒ TOILET PAPER DISPENSER, BOBRICK B-685, (OR EQUAL)
- Ⓒ SOAP DISPENSER, BOBRICK B-344, (OR EQUAL)
- Ⓒ COAT HOOKS, BOBRICK B-333, (OR EQUAL)
- Ⓜ MIRROR TO BE SELECTED BY OWNER
- Ⓜ TOILET PARTITIONS, KNICKERBOCKER, BAKED ENAMEL, NEW YORKER, FLOOR MOUNTED, COLOR HONEY # 1001 (WHERE PARTITIONS ARE SHOWN ON PLAN (OR EQUAL)
- Ⓜ HANICAP WATER SUPPLY AND DRAINAGE INSULATION - TREBERO INC., HAND LAYED, (OR EQUAL, (202) 875-2888

RESTROOM FINISHES

- FLOOR:**
CF-1 CERAMIC TILE TO BE SELECTED BY OWNER
- BASE:**
CF-1 CERAMIC TILE TO BE SELECTED BY OWNER
- WALLS:**
CERAMIC TILE TO 4'-0" AFF THEN PAINT, PAINT TO BE SELECTED BY OWNER. GENERAL CONTRACTOR TO PROVIDE ALL FINISHES FROM FLOOR TO 4'-0" AFF. (IF REQUIRED BY OWNER)
- CEILING:**
CLG-2 GYPSUM BOARD CEILING

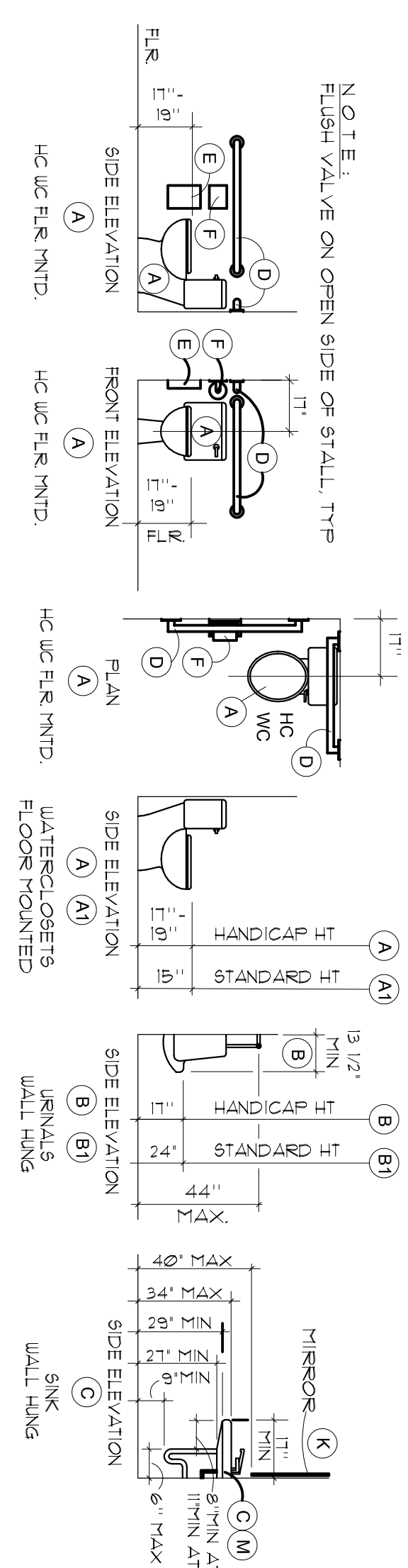


02 ENLARGED RESTROOM PLAN 1/2" = 1'-0"



LETTERS AND NUMBERS ON SIGNS RATIO BETWEEN WIDTH AND HEIGHT A STROKE WIDTH TO HEIGHT RATIO BETWEEN 1/8 AND 1/8 USING AN UPPER CASE 'X' FOR NEARER IDENT. LETTERS AND NUMBERS SHOULD BE KNIGHTS, OR SIMILAR SERIF TYPE AND SHALL BE ACCOMPANIED WITH CHARACTERS SHALL BE AT LEAST 7/8" HIGH, BUT NO HIGHER THAN 1"

NOTE: HANICAP RESTROOM SIGNAGE TO BE WHITE CHARACTERS OVER GREY BACKGROUND.



01 TOILET ACCESSORY AND FIXTURE MOUNTING DIAGRAMS 1/4" = 1'-0"

1/4" = 1'-0"